

LABEL	DESCRIPTION	VALVE TYPE	LABEL	DESCRIPTION	VALVE TYPE	LABEL	DESCRIPTION	VALVE TYPE	LABEL	DESCRIPTION	VALVE TYPE	LABEL	DESCRIPTION	VALVE TYPE
V-101	AWS-1 DRAIN	1" BALL VALVE	V-201	AIR/OIL FLOW CHECK	4" CHECK VALVE	V-301	AWS-1 PUMP ON/OFF	1-1/4" BALL VALVE	V-401	OWS DRAIN	1" BALL VALVE	V-501	SUMP PUMP ON/OFF	1-1/4" BALL VALVE
V-102	VACUUM RELIEF	2" VACUUM RELIEF	V-202	SEAL OIL ON/OFF	4" BUTTERFLY	V-302	INFLUENT SAMPLE PORT	1/4" BALL VALVE	V-402	AIR STRIPPER DRAIN	1" BALL VALVE	V-502	EFFLUENT SAMPLE PORT	1/4" BALL VALVE
V-103		1/4" BALL VALVE	V-203	1/2" SEAL OIL DRAIN	1/2" BALL VALVE	V-303	AWS-1 CHECK VALVE	1" BALL CHECK	V-403	GW CHECK VALVE	1" CHECK VALVE	V-503	SUMP CHECK VALVE	1" BALL CHECK
V-104	STILLING WELL ON/OFF	1" GATE VALVE	V-204	SEAL OIL CHECK VALVE	1" SWING CHECK	V-304	AWS-1 FLOW REGULATOR	1" BALL VALVE	V-404	GW SHUT OFF VALVE	1" BALL VALVE	V-504	SUMP FLOW REGULATOR	1" BALL VALVE
V-105	DILUTION VALVE	2" BALL VALVE	V-205	SEAL OIL VENT VALVE	1/4" BALL VALVE	V-305	AWS-1 RECIRCULATION	1/2" BALL VALVE				V-505	ANTI-SIPHON VALVE	3/4" VAC RELIEF

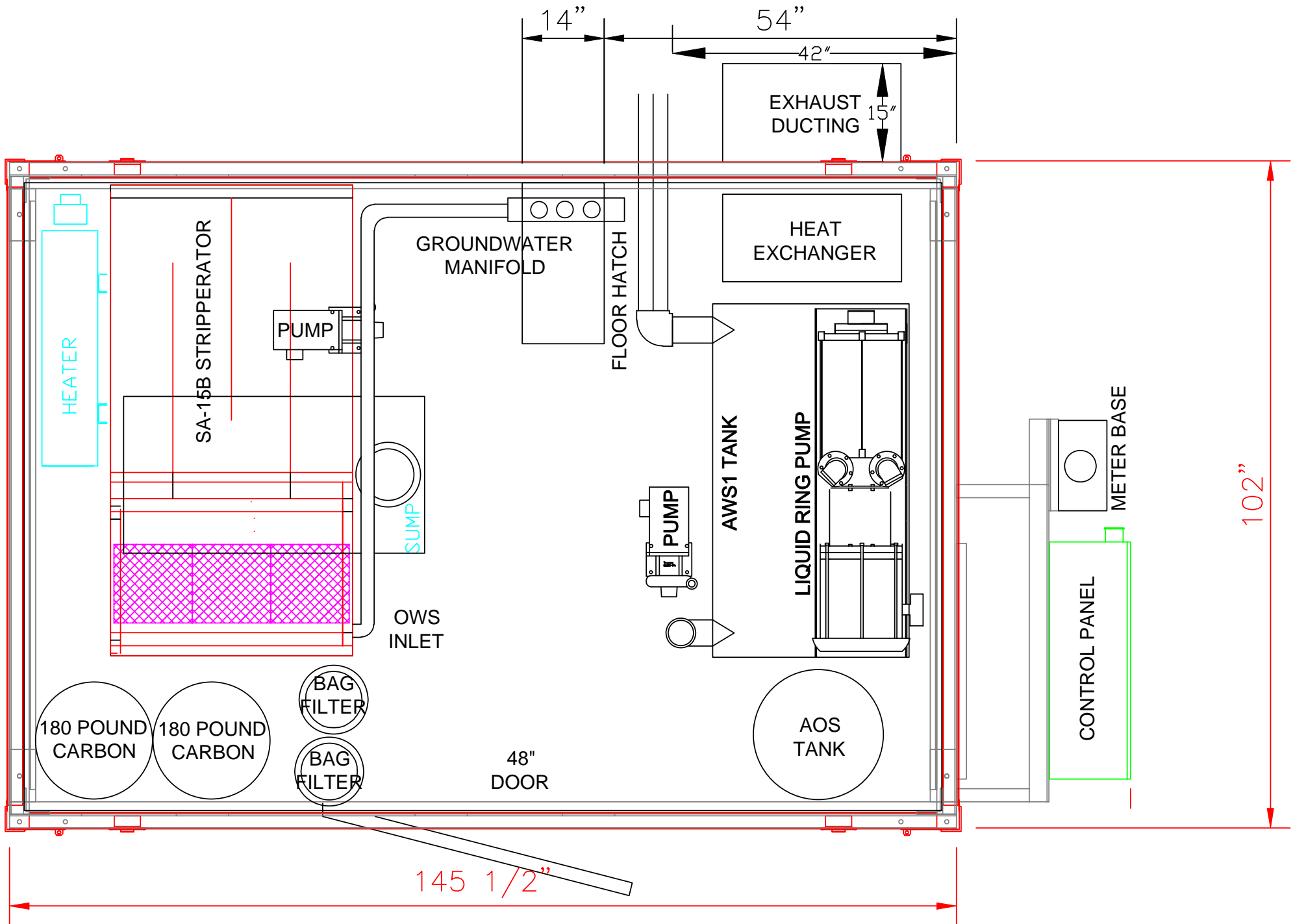
V VACUUM  
 P PRESSURE  
 S SWITCH  
 L LIQUID LEVEL OR LOW T

I INDICATOR  
 FQI FLOW QTY IND. (TOTALIZER)  
 FRI FLOW RATE INDICATOR  
 T TEMPERATURE



DATE: 9/2/09  
 DRAWN BY: EHT  
 JOB NUMBER: XXXXX  
 FACILITY ID/TAG#: XXXX XXXXX

DRAWING NUMBER: TDEC GROUNDWATER PUMP CAS  
 P&ID



DATE:  
9/22/09

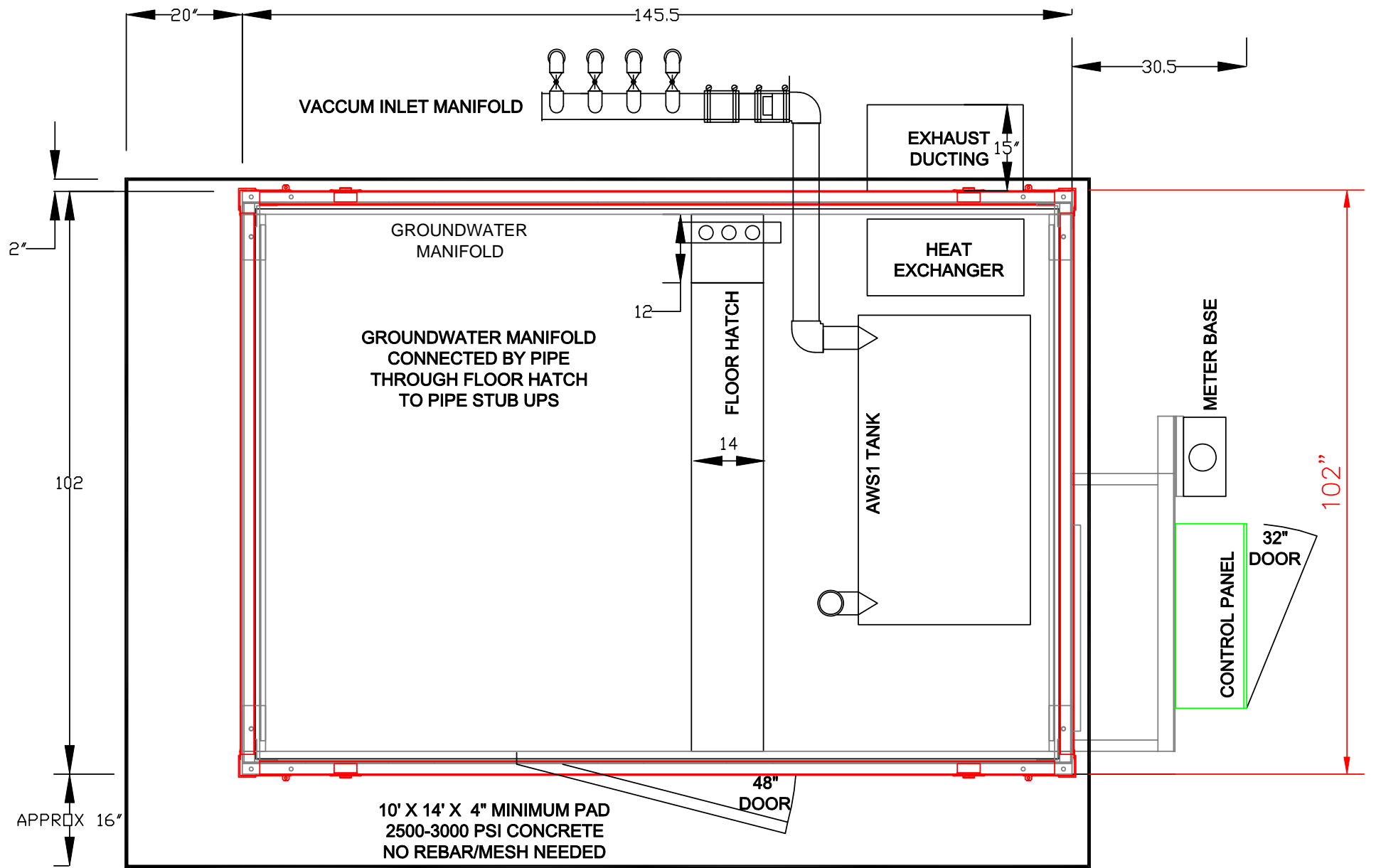
DRAWN BY:  
EHT

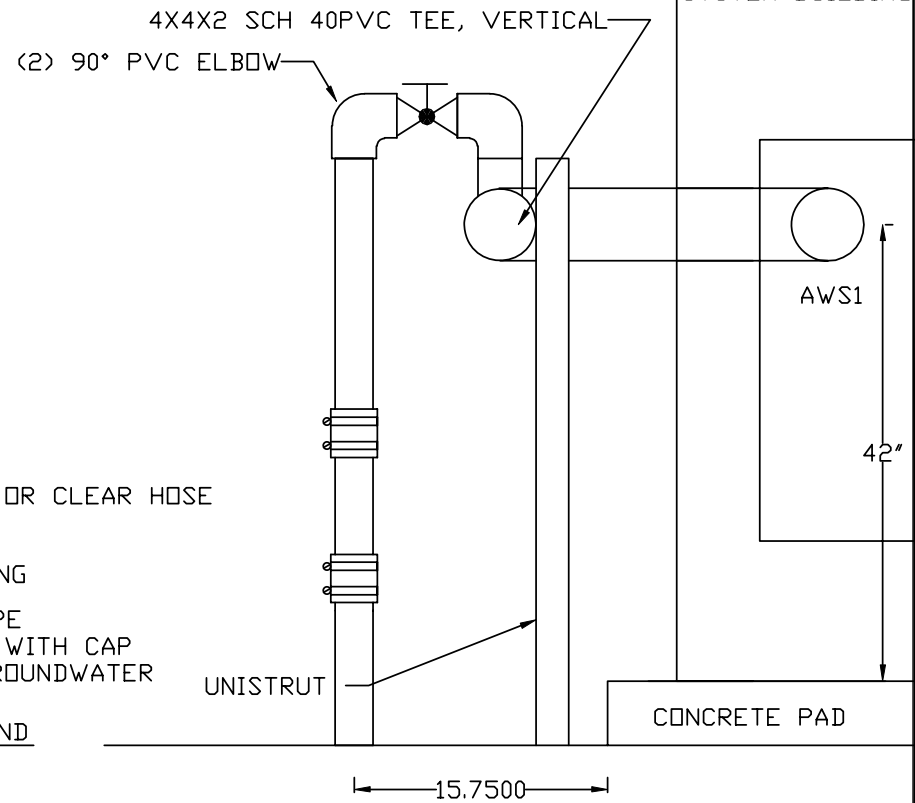
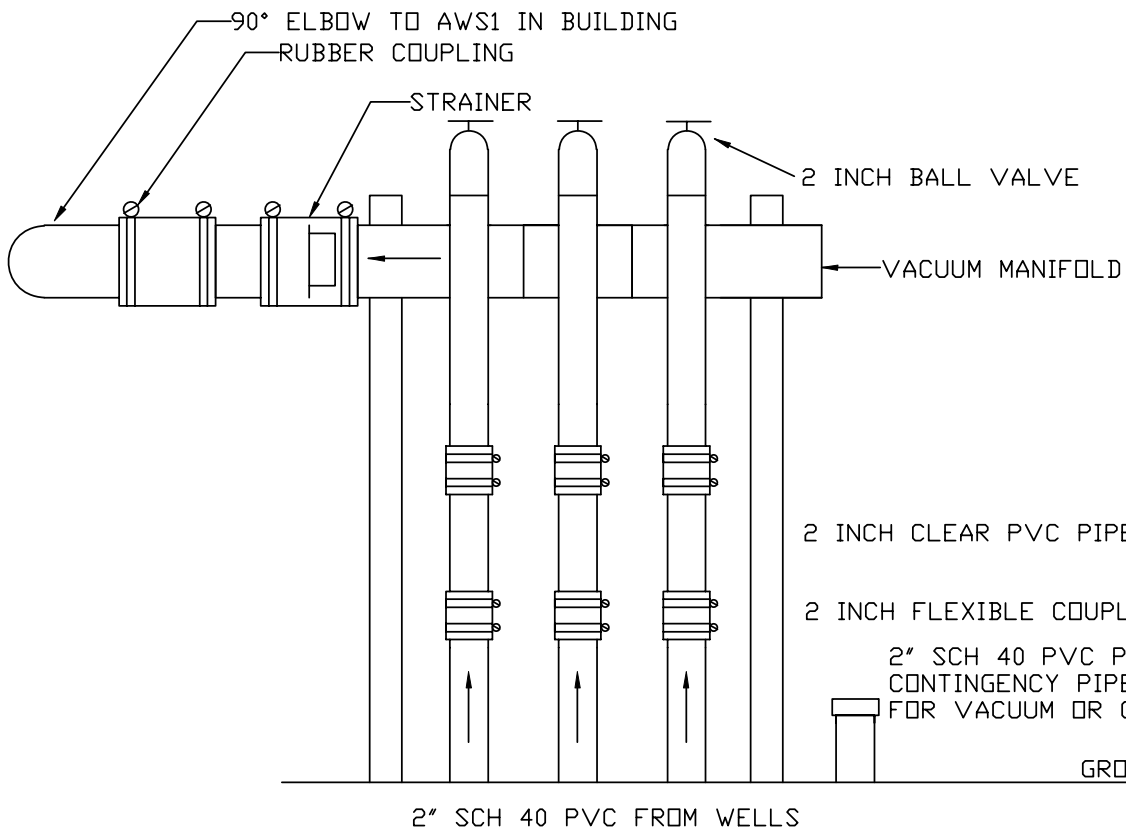
JOB NUMBER  
XXXXXX

FACILITY ID/TAG#  
XXXX  
XXXX

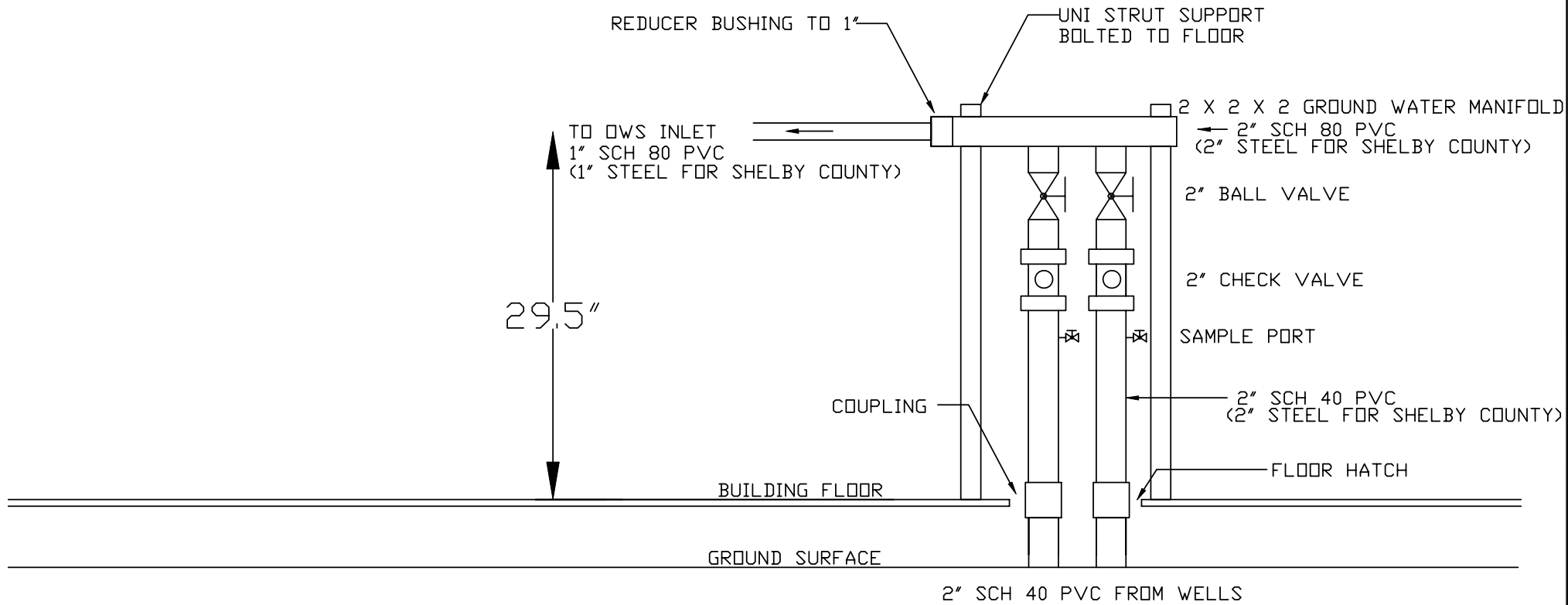
DRAWING NUMBER

CAS LAYOUT  
TDEC GROUNDWATER PUMP CAS





BUILDING CEILING



CUT AWAY VIEW FROM INSIDE BUILDING



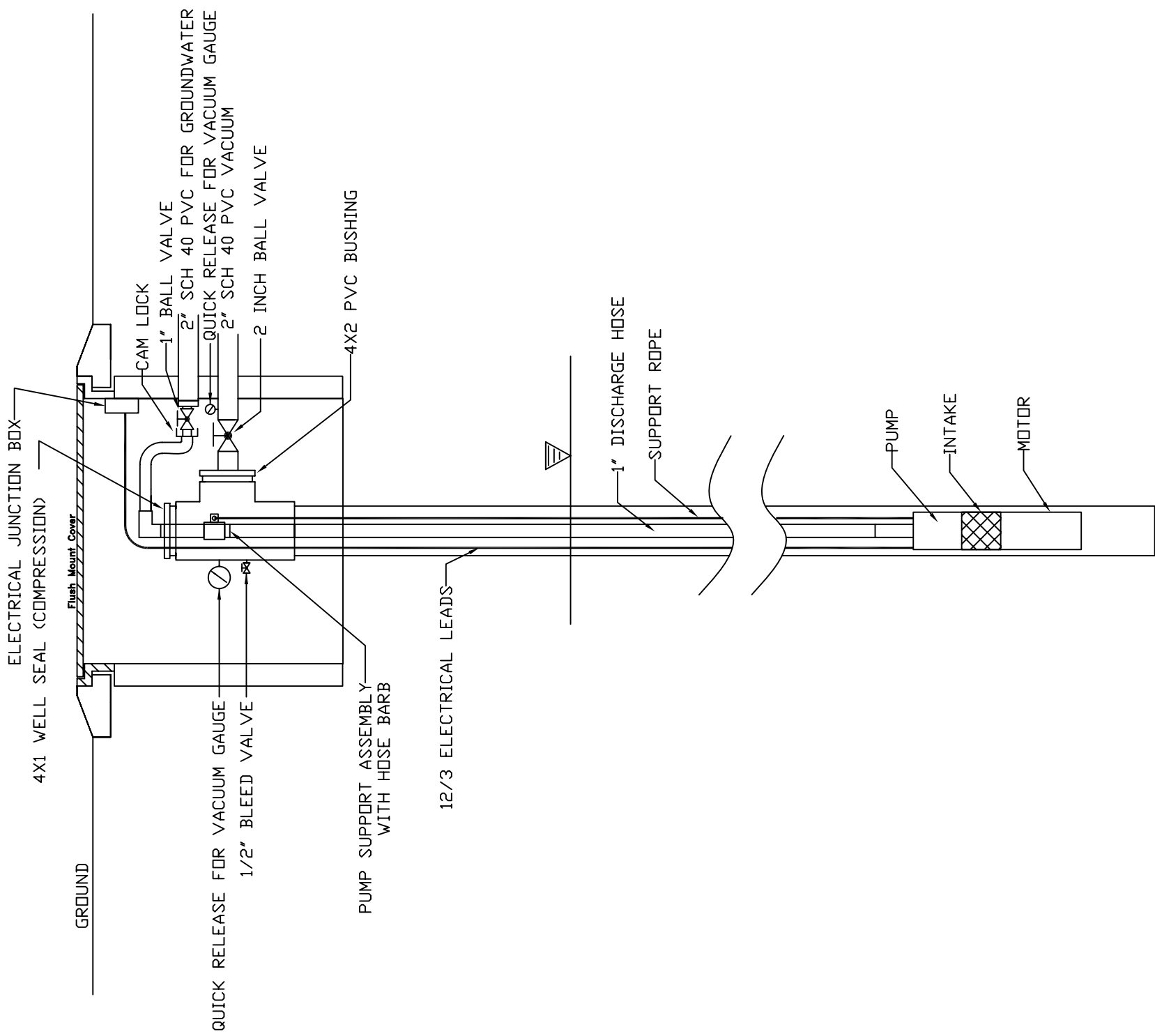
DATE:  
9/22/09

DRAWN BY:  
EHT

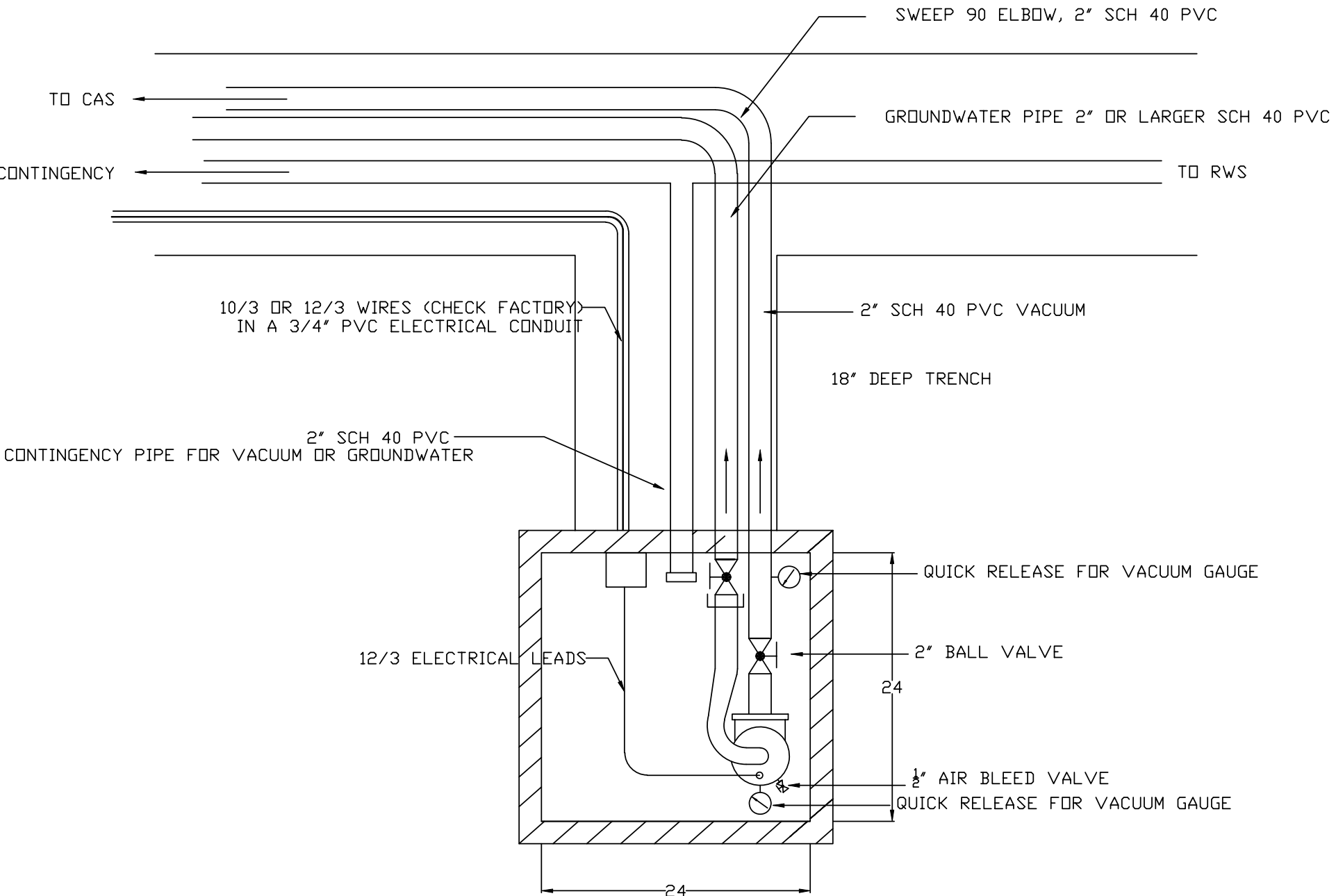
JOB NUMBER  
XXXXX

DRAWING NUMBER

CAS GROUNDWATER PIPING MANIFOLD  
TDEC GROUNDWATER PUMP CAS



PROVIDED BY MK ENVIRONMENTAL:  
 PUMP, HOSE, ROPE, ELECTRICAL LEADS  
 WELL SEAL WITH FITTINGS  
 CAMLOCK AND FITTINGS



DATE:  
9/02/09

DRAWN BY:  
EHT

JOB NUMBER  
XXXXX

DRAWING NUMBER  
WELL HEAD MANIFOLD AND WELL VAULT (TOP VIEW)  
TDEC GROUNDWATER PUMP CAS

# MK ENVIRONMENTAL ON-SITE PLATFORM

## INSULATED, REMOVABLE WALL PANELS

### TYPICAL OF AN 8' X 12' PLATFORM

