

LABEL	DESCRIPTION	VALVE TYPE	LABEL	DESCRIPTION	VALVE TYPE	LABEL	DESCRIPTION	VALVE TYPE	LABEL	DESCRIPTION	VALVE TYPE	LABEL	DESCRIPTION	VALVE TYPE
V-101	AWS-1 DRAIN	1" BALL VALVE	V-201	AIR/OIL FLOW CHECK	4" CHECK VALVE	V-301	AWS-1 PUMP ON/OFF	1-1/4" BALL VALVE	V-401	OWS DRAIN	1" BALL VALVE	V-501	SUMP PUMP ON/OFF	1-1/4" BALL VALVE
V-102	VACUUM RELIEF	2" VACUUM RELIEF	V-202	SEAL OIL ON/OFF	4" BUTTERFLY	V-302	INFLUENT SAMPLE PORT	1/4" BALL VALVE	V-402	AIR STRIPPER DRAIN	1" BALL VALVE	V-502	EFFLUENT SAMPLE PORT	1/4" BALL VALVE
V-103		1/4" BALL VALVE	V-203	1/2" SEAL OIL DRAIN	1/2" BALL VALVE	V-303	AWS-1 CHECK VALVE	1" BALL CHECK	V-503	SUMP CHECK VALVE	1" BALL CHECK	V-504	SUMP FLOW REGULATOR	1" BALL VALVE
V-104	STILLING WELL ON/OFF	1" GATE VALVE	V-204	SEAL OIL CHECK VALVE	1" SWING CHECK	V-304	AWS-1 FLOW REGULATOR	1" BALL VALVE	V-505	ANTI-SIPHON VALVE	3/4" VAC RELIEF			
V-105	DILUTION VALVE	2" BALL VALVE	V-205	SEAL OIL VENT VALVE	1/4" BALL VALVE	V-305	AWS-1 RECIRCULATION	1/2" BALL VALVE						

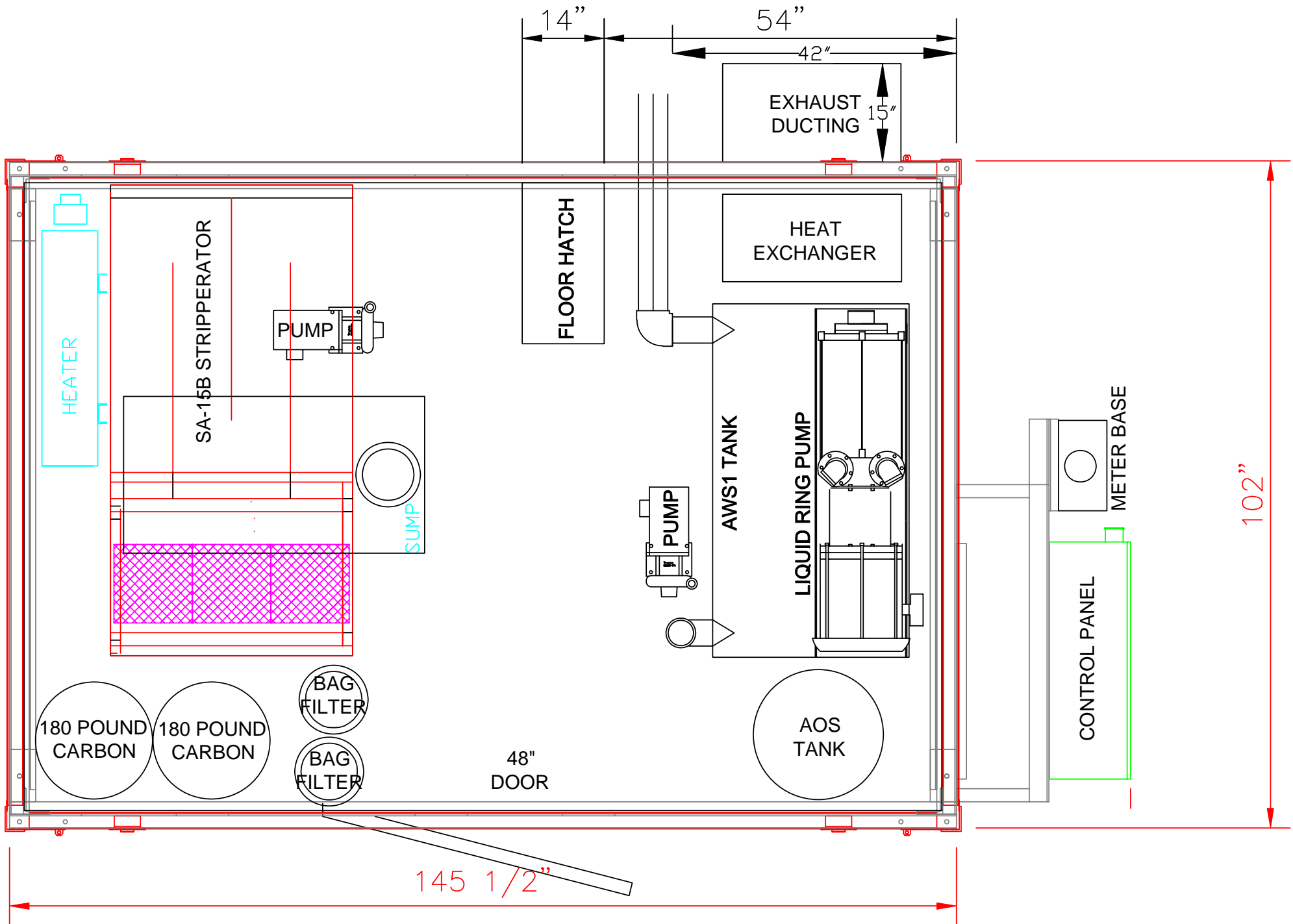
V VACUUM
 P PRESSURE
 S SWITCH
 L LIQUID LEVEL OR LOW T

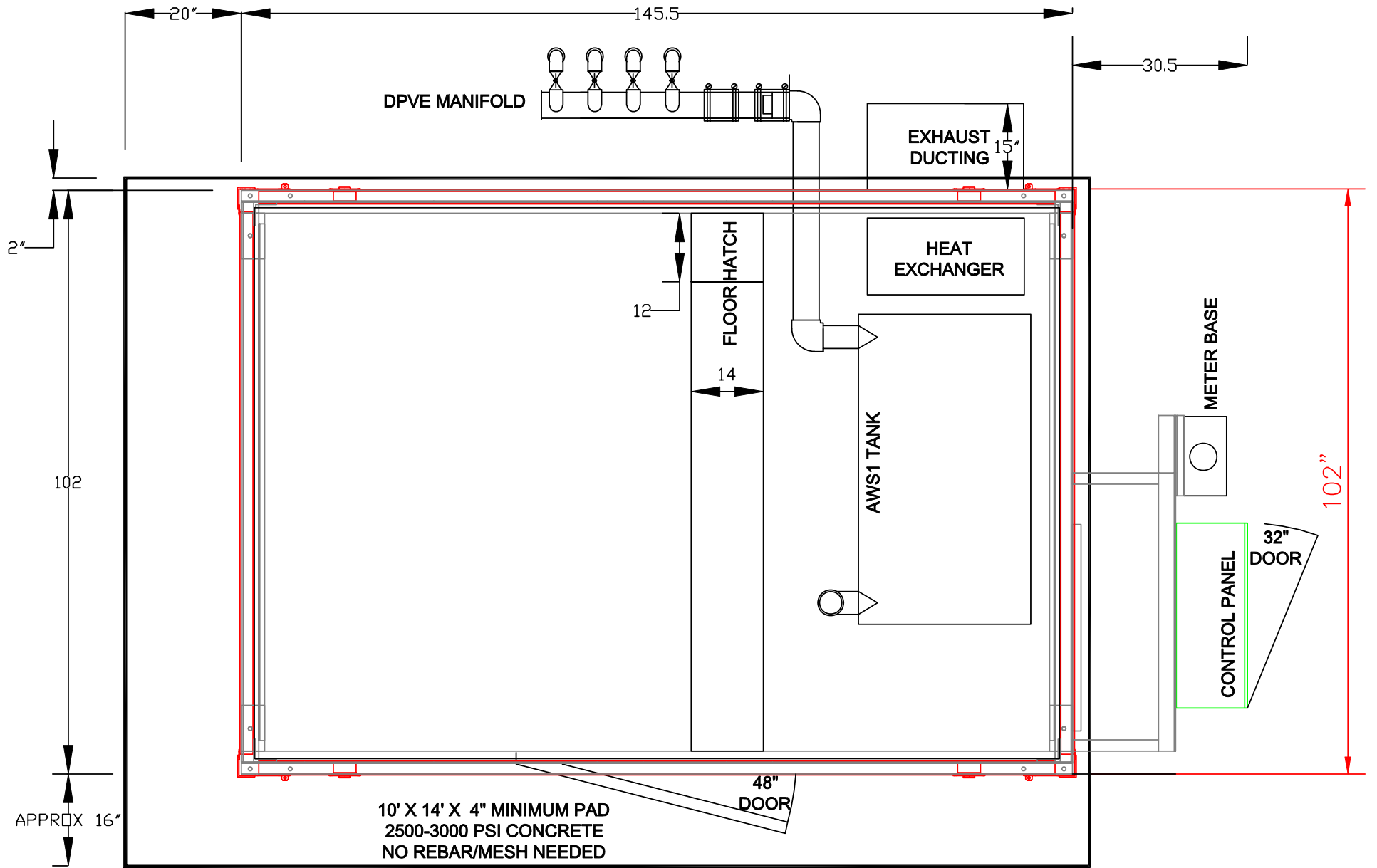
I INDICATOR
 FQI FLOW QTY IND. (TOTALIZER)
 FRI FLOW RATE INDICATOR
 T TEMPERATURE

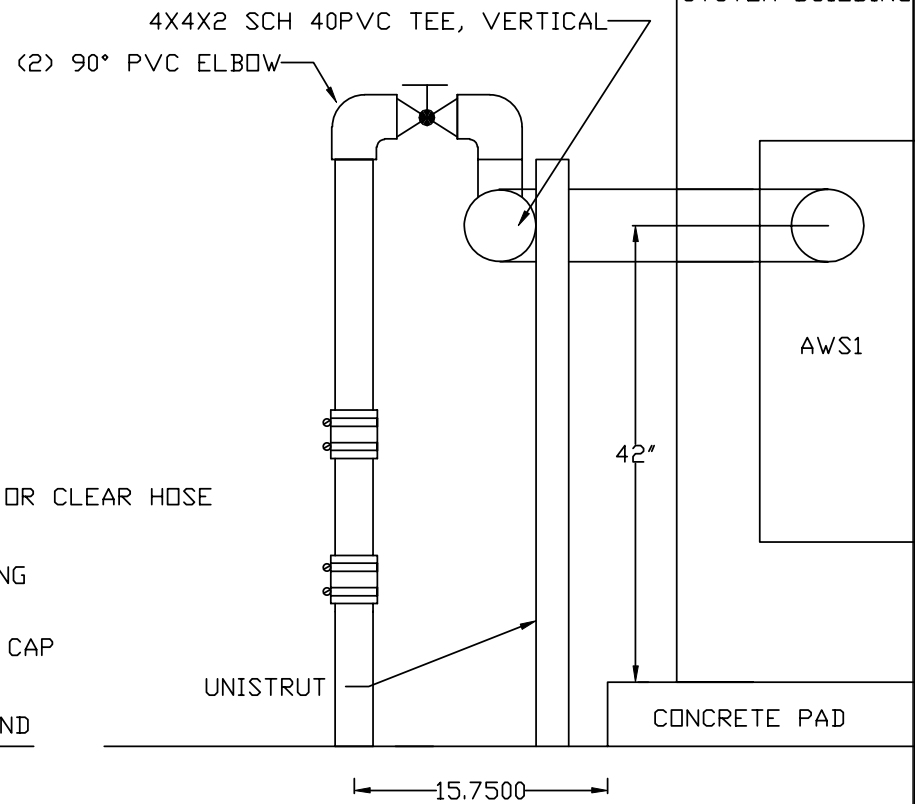
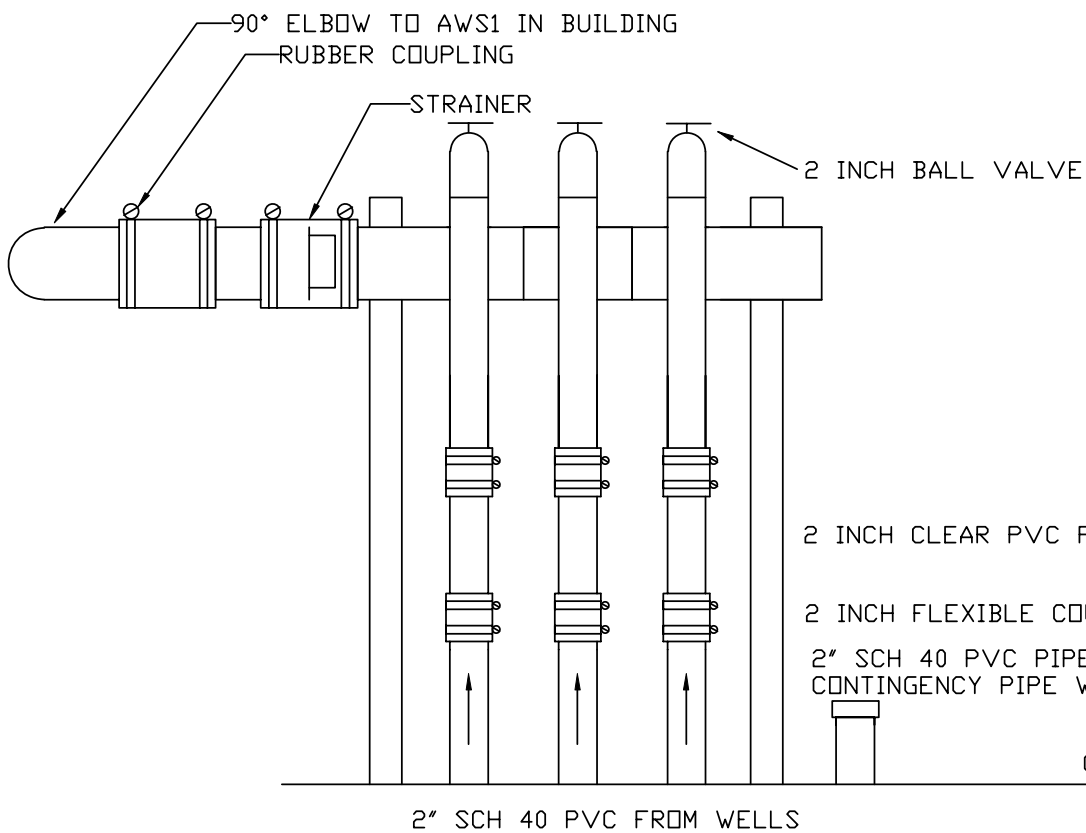


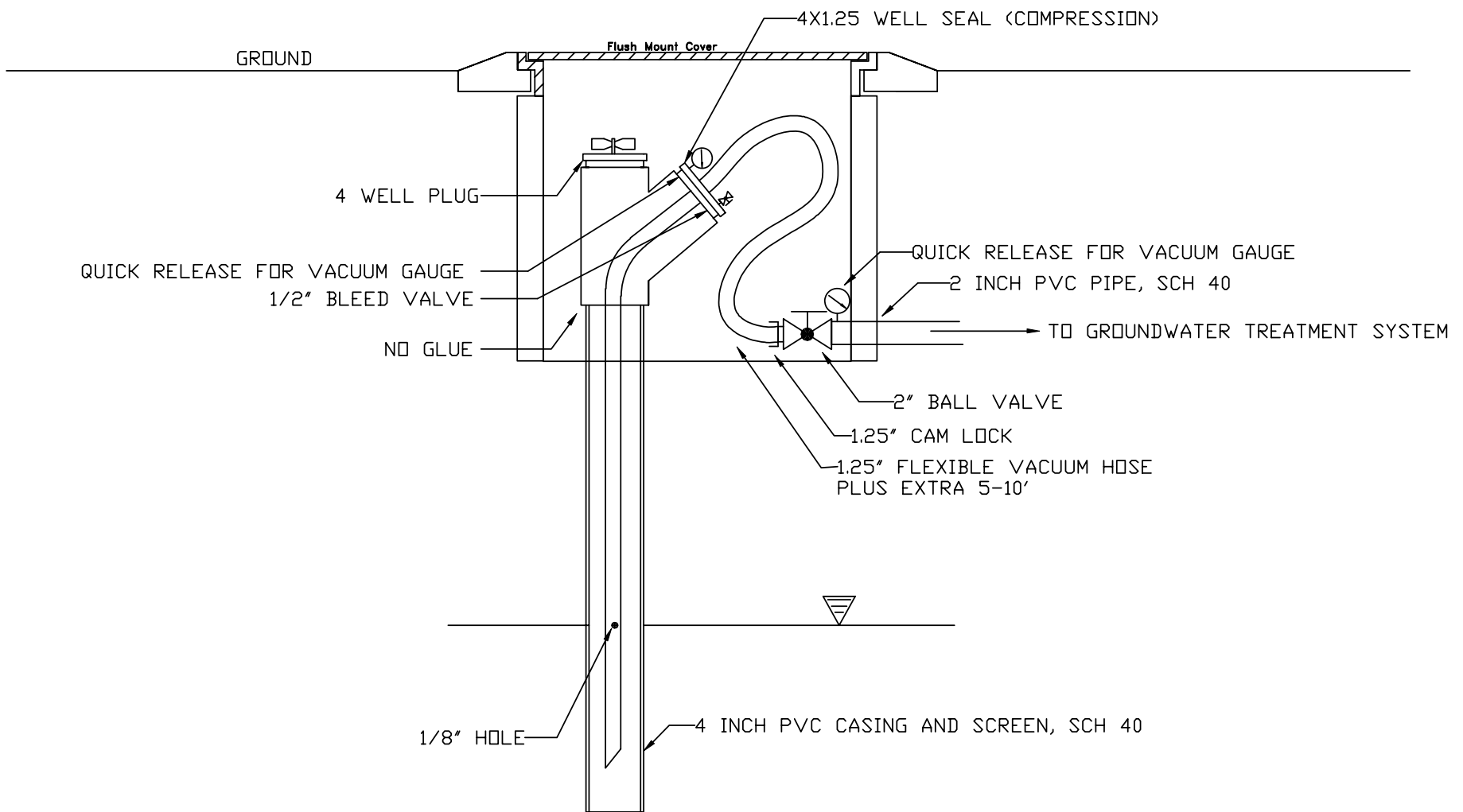
DATE: 9/2/09
 DRAWN BY: EHT
 JOB NUMBER: XXXXX
 FACILITY ID/TAG#: XXXX XXXXX

DRAWING NUMBER: TDEC STANDARD CAS
 P&ID







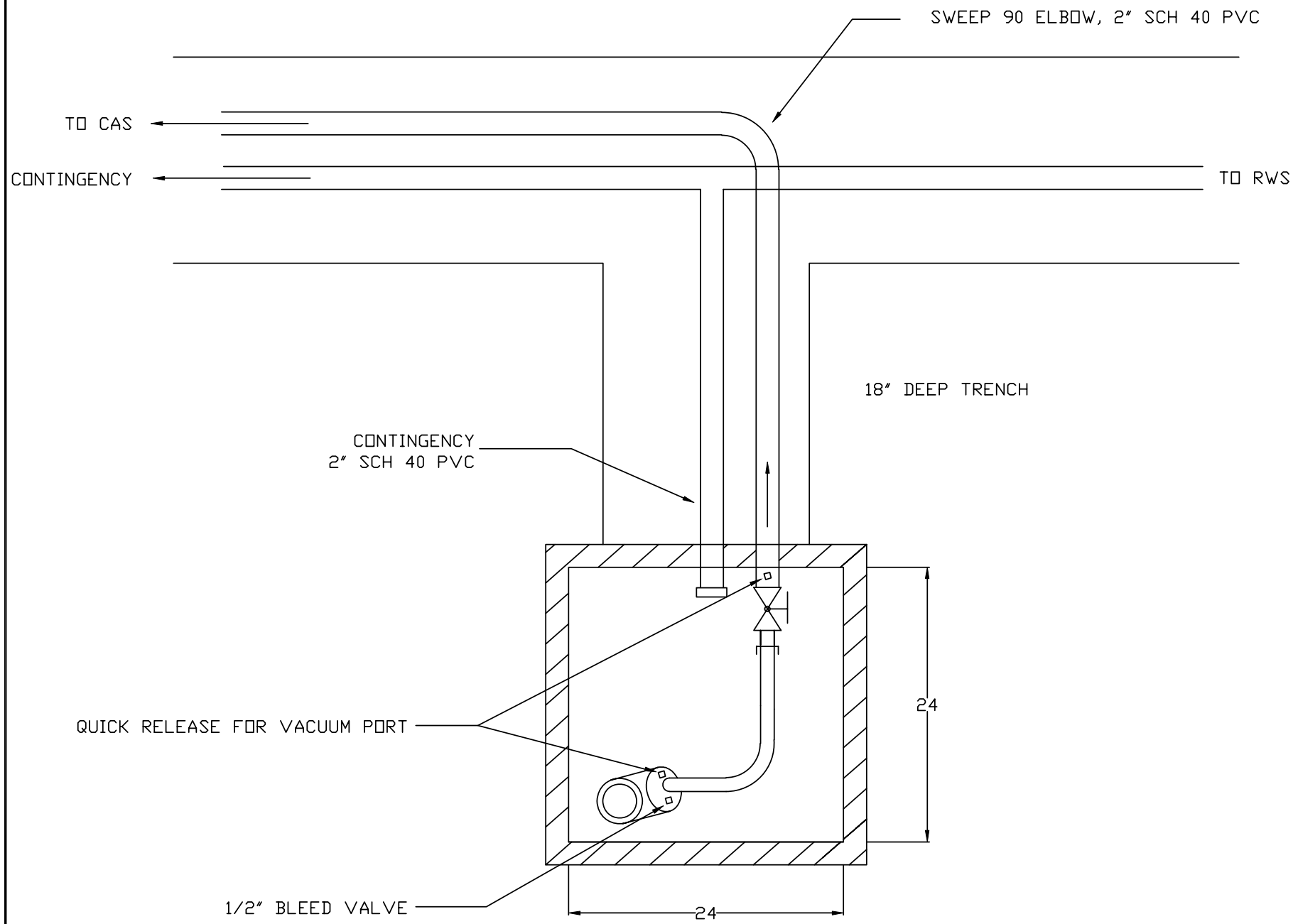


DATE:
9/2/09

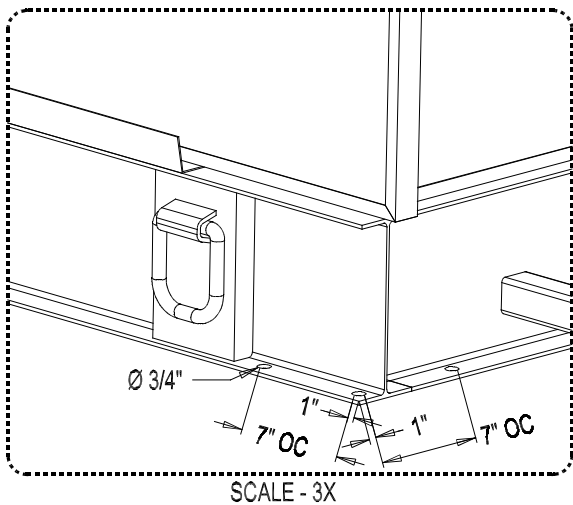
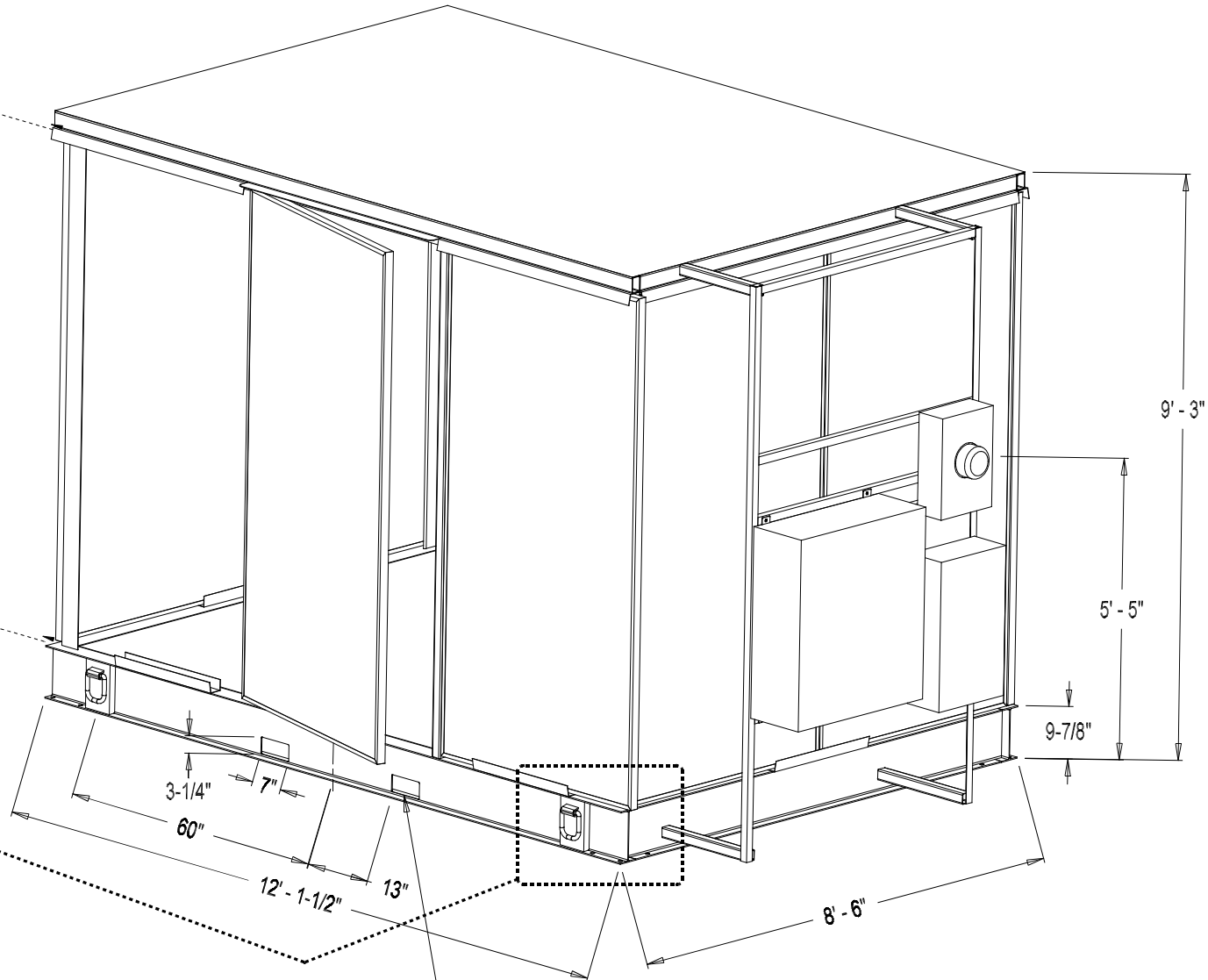
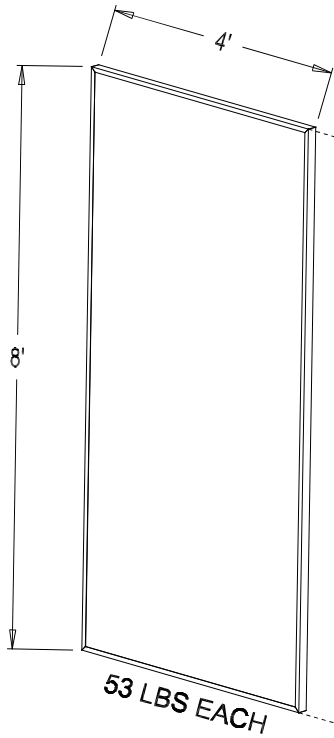
DRAWN BY:
EHT

JOB NUMBER
23318

DRAWING NUMBER
**WELL HEAD MANIFOLD AND WELL VAULT
TDEC STANDARD CAS**



MK ENVIRONMENTAL ON-SITE PLATFORM
INSULATED, REMOVABLE WALL PANELS
TYPICAL OF AN 8' X 12' PLATFORM



BOTTOM OF FORK
POCKETS FLUSH
W/ BOTTOM FLANGE