

| LABEL | DESCRIPTION | VALVE TYPE | LABEL | DESCRIPTION | VALVE TYPE | LABEL | DESCRIPTION | VALVE TYPE | LABEL | DESCRIPTION | VALVE TYPE | LABEL | DESCRIPTION | VALVE TYPE |
|-------|----------------------|------------------|-------|----------------------|-----------------|-------|----------------------|-------------------|-------|--------------------|-----------------|-------|----------------------|-------------------|
| V-101 | AWS-1 DRAIN | 1" BALL VALVE | V-201 | AIR/OIL FLOW CHECK | 4" CHECK VALVE | V-301 | AWS-1 PUMP ON/OFF | 1-1/4" BALL VALVE | V-401 | OVS DRAIN | 1" BALL VALVE | V-501 | SUMP PUMP ON/OFF | 1-1/4" BALL VALVE |
| V-102 | VACUUM RELIEF | 2" VACUUM RELIEF | V-202 | SEAL OIL ON/OFF | 4" BUTTERFLY | V-302 | INFLUENT SAMPLE PORT | 1/4" BALL VALVE | V-402 | AIR STRIPPER DRAIN | 1" BALL VALVE | V-502 | EFFLUENT SAMPLE PORT | 1/4" BALL VALVE |
| V-103 | | 1/4" BALL VALVE | V-203 | 1/2" SEAL OIL DRAIN | 1/2" BALL VALVE | V-303 | AWS-1 CHECK VALVE | 1" BALL CHECK | V-503 | SUMP CHECK VALVE | 1" BALL CHECK | V-504 | SUMP FLOW REGULATOR | 1" BALL VALVE |
| V-104 | STILLING WELL ON/OFF | 1" GATE VALVE | V-204 | SEAL OIL CHECK VALVE | 1" SWING CHECK | V-304 | AWS-1 FLOW REGULATOR | 1" BALL VALVE | V-505 | ANTI-SIPHON VALVE | 3/4" VAC RELIEF | | | |
| V-105 | DILUTION VALVE | 2" BALL VALVE | V-205 | SEAL OIL VENT VALVE | 1/4" BALL VALVE | V-305 | AWS-1 RECIRCULATION | 1/2" BALL VALVE | | | | | | |

V VACUUM
 P PRESSURE
 S SWITCH
 L LIQUID LEVEL OR LOW T

I INDICATOR
 FOI FLOW QTY IND. (TOTALIZER)
 FRI FLOW RATE INDICATOR
 T TEMPERATURE



DATE: 9/2/09

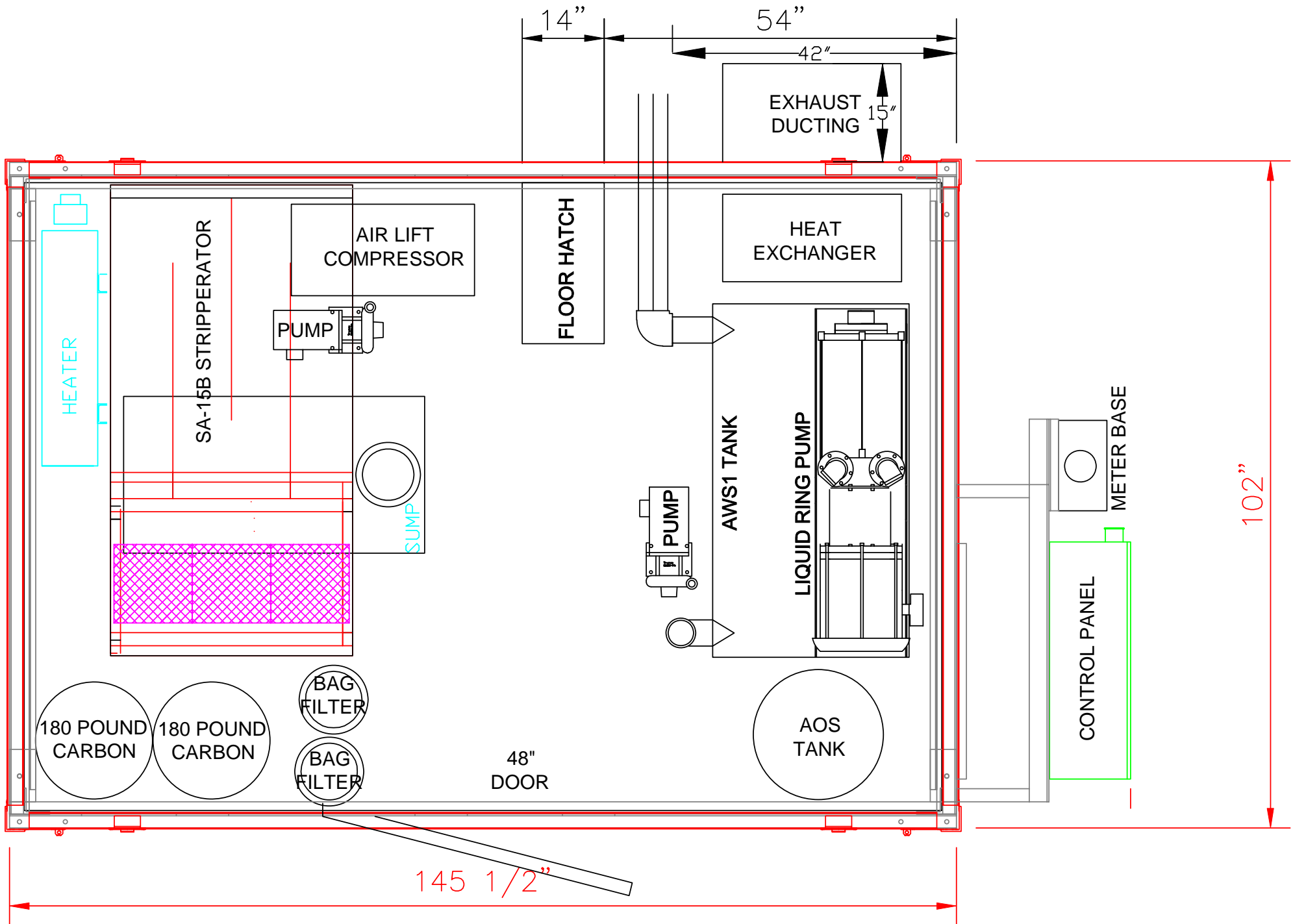
DRAWN BY: EHT

JOB NUMBER: XXXXX

FACILITY ID/TAG#
XXXX
XXXX

DRAWING NUMBER

P&ID
TDEC AIR LIFT CAS



DATE:
9/02/09

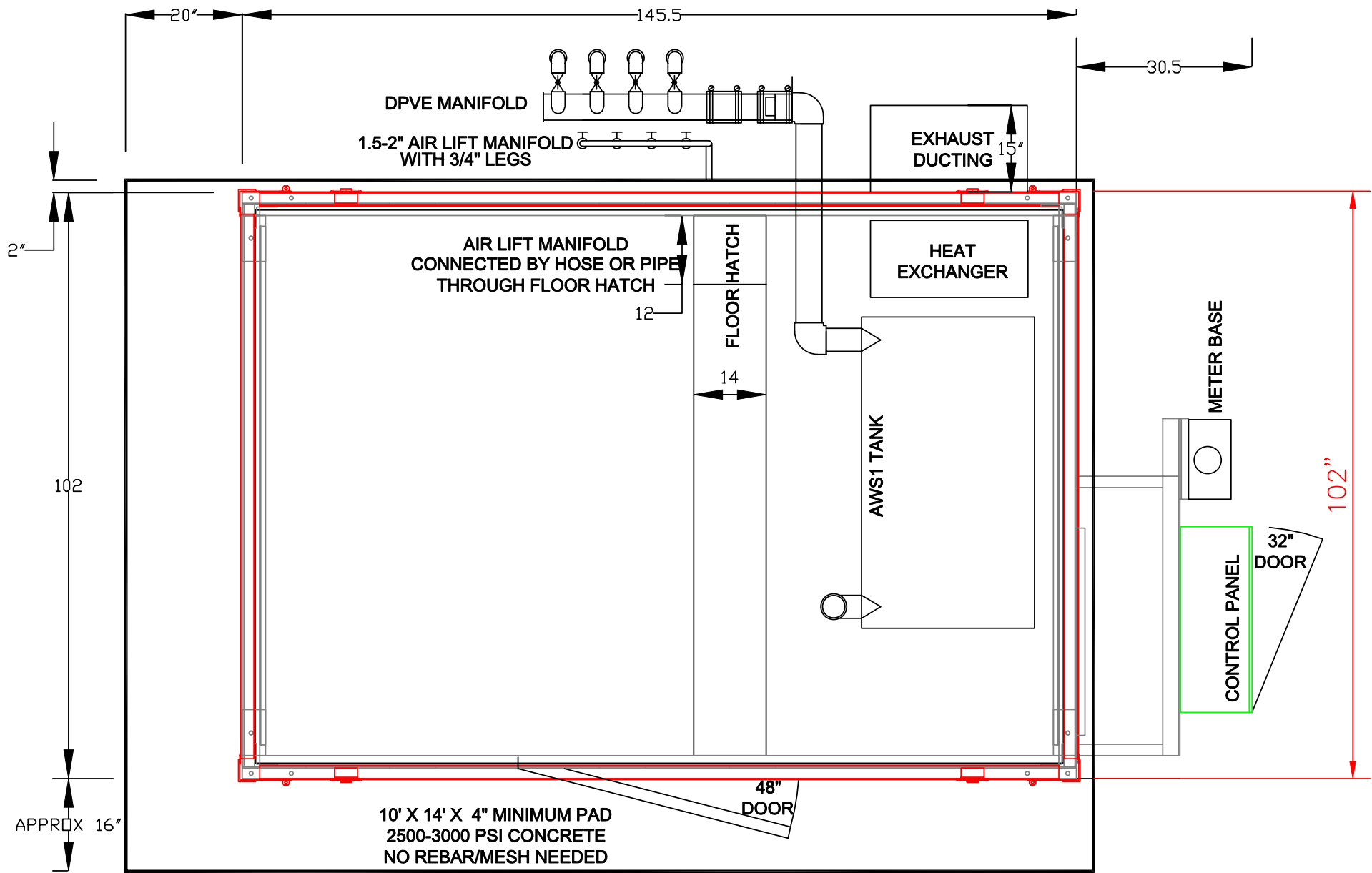
DRAWN BY:
EHT

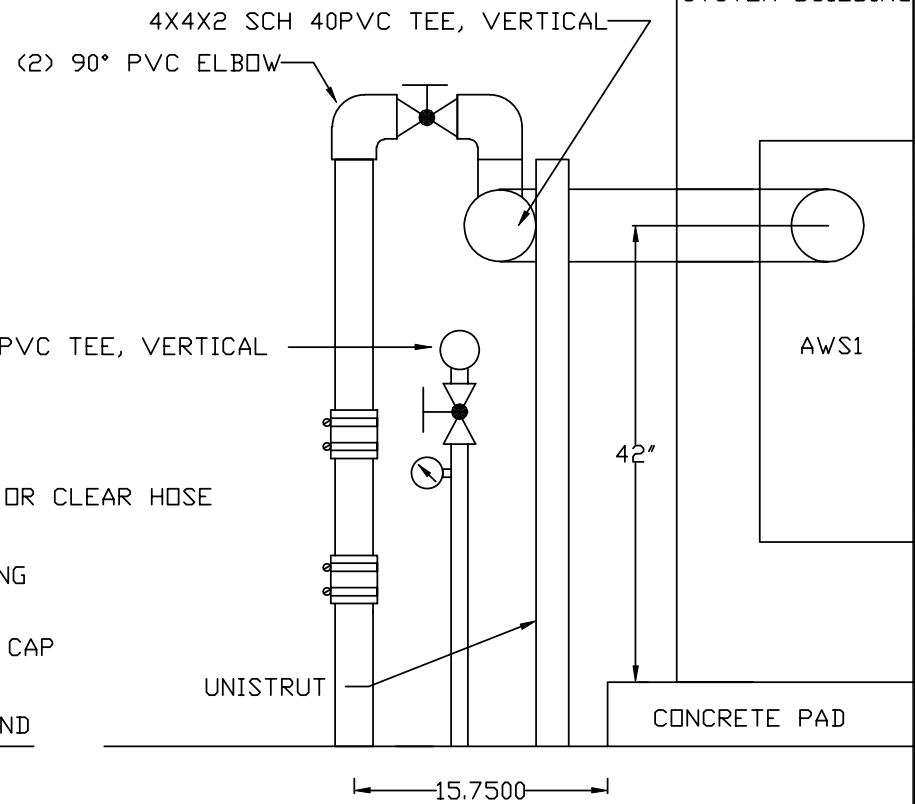
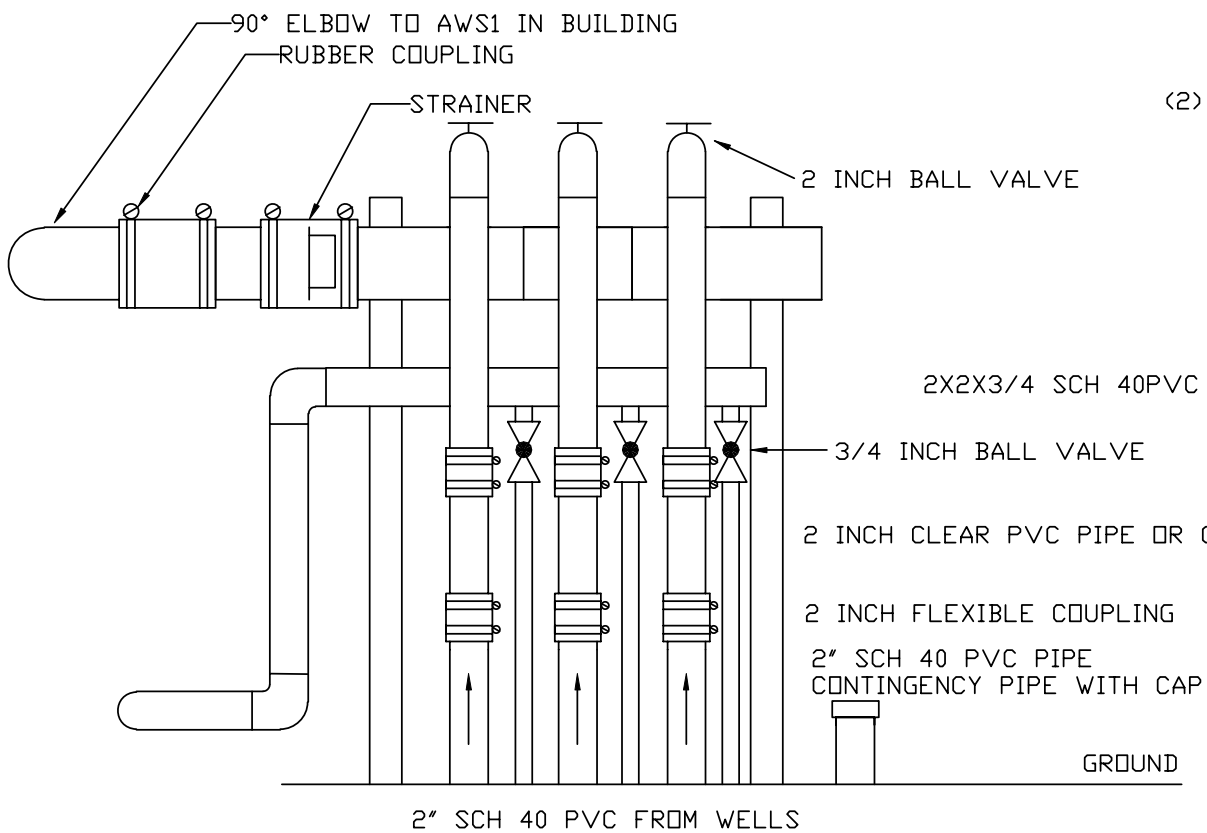
JOB NUMBER
XXXXXX

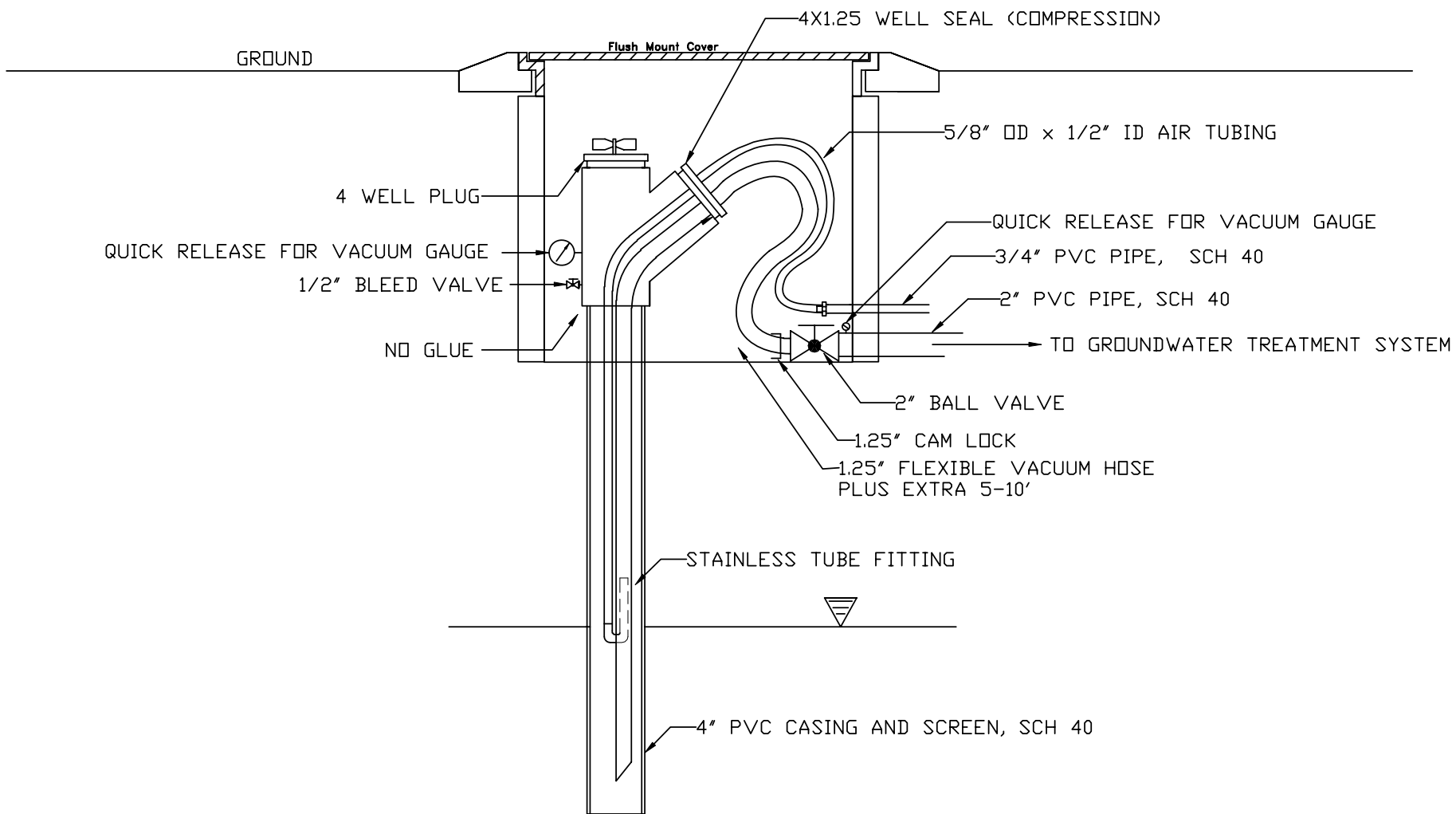
FACILITY ID/TAG#
XXXX
XXXX

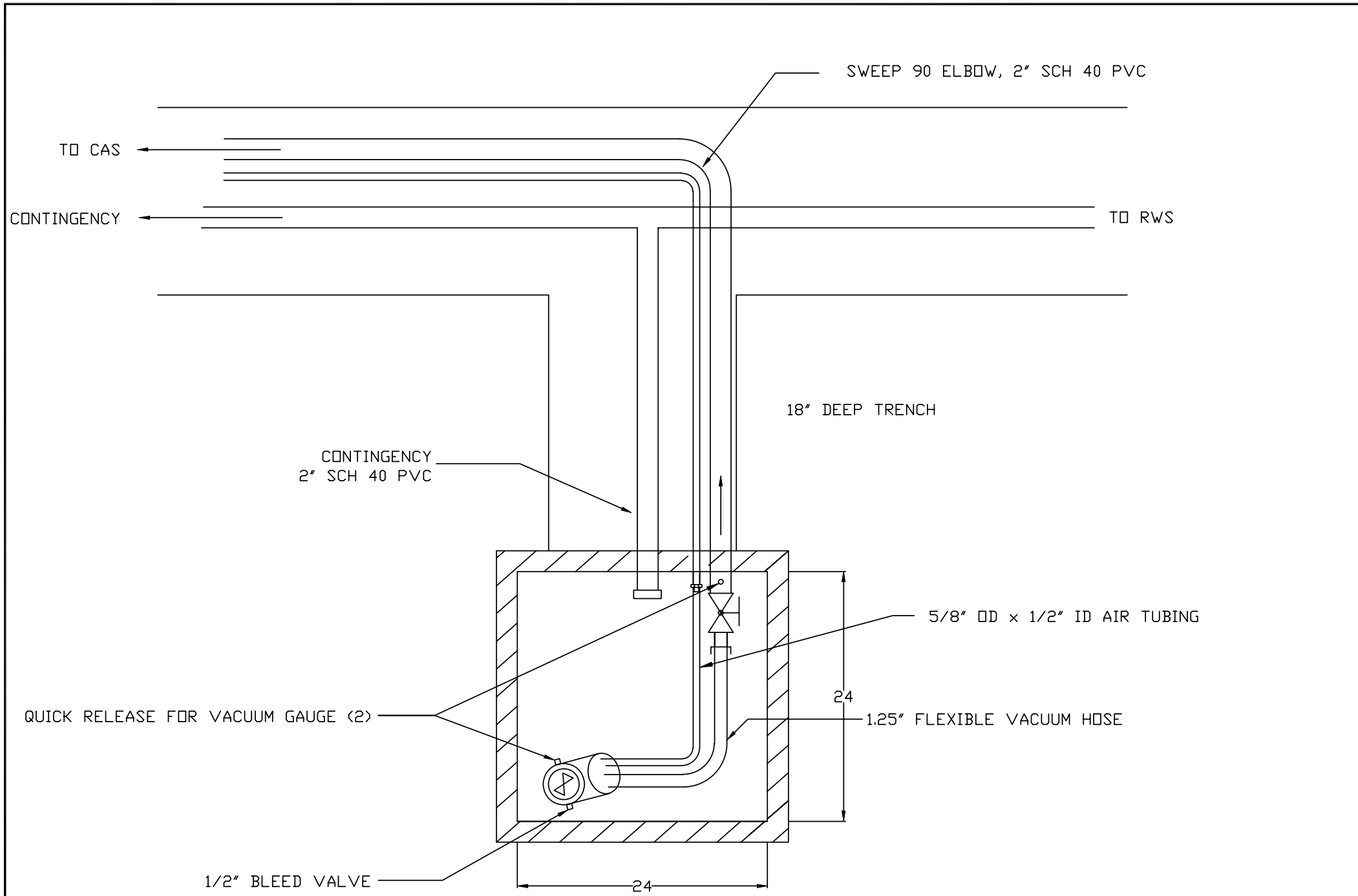
DRAWING NUMBER

CAS LAYOUT
TDEC AIR LIFT CAS









MK ENVIRONMENTAL ON-SITE PLATFORM

INSULATED, REMOVABLE WALL PANELS

TYPICAL OF AN 8' X 12' PLATFORM

